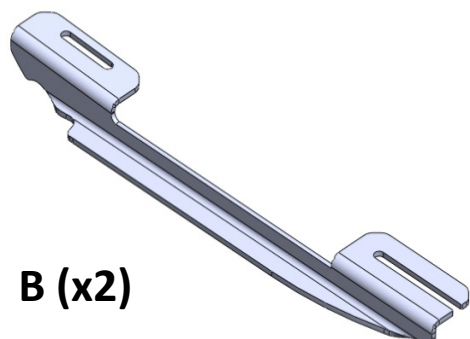
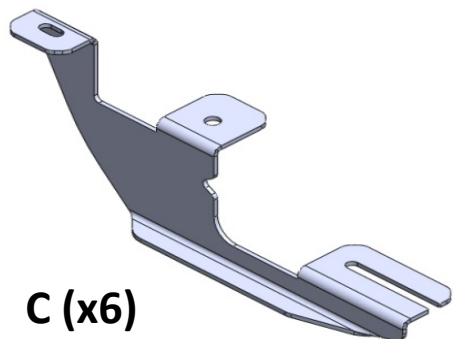


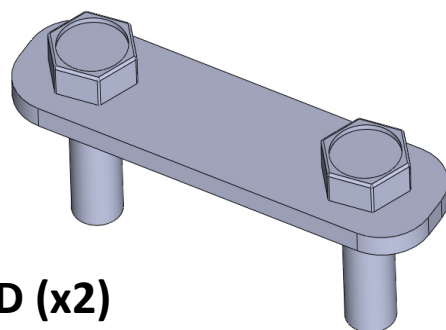
A (x2)



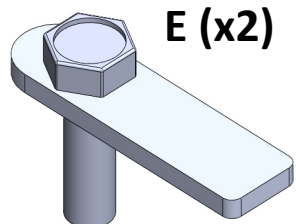
B (x2)



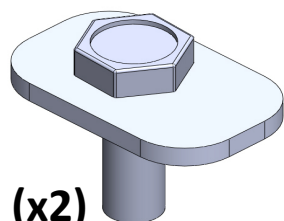
C (x6)



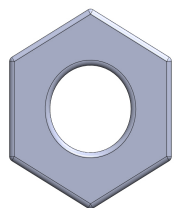
D (x2)



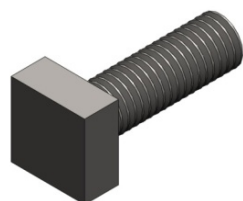
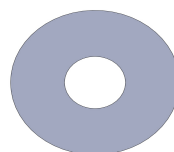
E (x2)



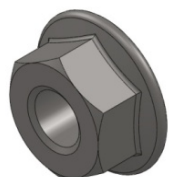
F (x2)



M10 (x8)



M8 (x12)

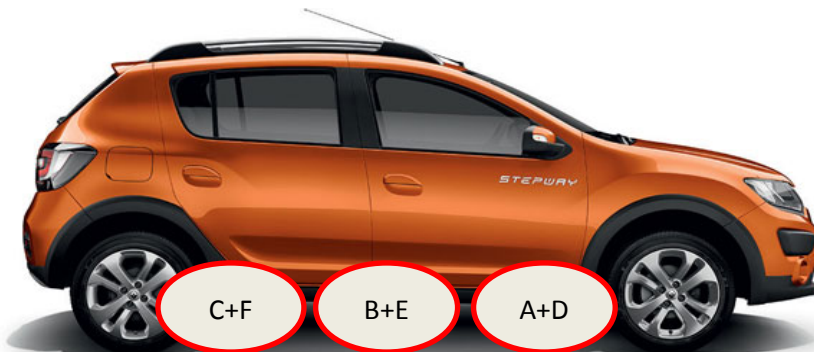


M8 (x12)



DACIA SANDERO STEPWAY 2009 → RUNNING BOARD

- | | |
|-------------------------------------|------------------------------------|
| TR MONTAJ TALIMATI | GB FITTING INSTRUCTIOS |
| F INSTRUCTIONS DE MONTAGE | P INSTRUÇÕES DE MONTAGEM |
| NL MONTAGEHANDLEIDING | PL INSTRUCJE WBUDOANIA |
| H FELSZERESLESI UTASITAS | ENG MOUNTING INSTRUCTIONS |
| D EINBAUANLEITUNG | SWE MONTAGEANVISNING |
| CZ POKYNY PRO MONTAZ | SLO NAVODILA ZA INSTALACIJO |
| ESP INSTRUCCIONES DE MONTAJE | RU Инструкция по установке |



FRONT BRACKET

MIDDLE BRACKET

REAR BRACKET

